

FEATURES

- **Universal input 100-240VAC**
- **Direct UK Fixed Plugtop Adapters**
- **Single Output 15V DC**
- **Output power: 18W**
- **Worldwide Approvals**
- **Safety Protection**
- **EN/IEC 62368-1 Safety Approved**

UK Power Adapter



RS Professionally Approved Products bring to you professional quality parts across all product categories. Our product range has been tested by engineers and provides a comparable quality to the leading brands without paying a premium price.

UK Power Adapter

Product Description

RS's 15DYS818-xyW-3-RS 18W AC/DC External Adapter UK Plugtop Power Supply (PSU) Series are certified to UKCA, CE, RoHS, REACH & EN 62368-1/IEC 62368-1 Standards and comply with (EU) 2019/1782, Level VI Efficiency Regulations. These are primarily used in ITE, Audio & Video Industries and customised solutions are available upon request.

Electrical Specifications

RS Stock#	Input Voltage	Output Voltage	Output Current	Output Wattage	Efficiency (Typ)
2008923	100~240Vac	15.0Vdc	1.2A	18W	85%

General Specifications

Type	Switching Mode Power Supply
Input Connector	IEC 320-C14
Output Connection	2.1x5.5x12.0mm +ve inner/centre
Number of Outputs	1
Energy Efficiency Level	VI
Mounting Style	Wallmount
MTBF	50,000 hours calculated at 25°C, by Telcoria SR-332
Power Indicator	LED Indicator for power on
Cable Length	1500mm
Cable Type	16AWG/18AWG (Depending on model)
Medical Approved	No

Mechanical Specifications

Housing Material	Fully Enclosed Plastic Case
Overall Dimensions	66mm x 52.5mm x 49.3mm
Overall Length	66mm
Overall Depth	52.5mm
Overall Width	49.3mm
Weight	200g +/-10g

UK Power Adapter



Input Specifications	
Rated Input Voltage	100~240Vac ($\pm 10\%$)
Rated Frequency	50/60Hz
Efficiency Level VI	Level VI / Efficiency (EU) 2019/1782
Input Current	0.5A
Inrush Current	60A Max. / 230Vac (Cold Start At 25°C, Full Load)
Touch Current	Less than 100 μ A
Input Protection	Internal Primary Current Fuse
Output Specification	
Output Regulation	$\pm 15\%$
Ripple & Noise (max.)	150mVp-p Max. for Output Voltage @ Full Load
Voltage Tolerance	$\pm 5\%$
Load Regulation	$\pm 5\%$
No Load Power Consumption	<0.15W
Hold-up Time	5mS @ Full Load
Transient Response	8mS for 80% Load Change (Typical)
Number of Outputs	1
Insulation Class	I
Dielectric Strength	Primary to Secondary 4,242Vac for 1 Minutes
Isolation Resistance	10M Ω for 500Vdc
Over Circuit Protection	Auto-recovery.
Over Voltage Protection	V out * 150% MAX., latch off.
Over Current Protection	1.56A Self recovery when fault removed

Protection Category

Means of Protection	2 X MOPP
---------------------	----------

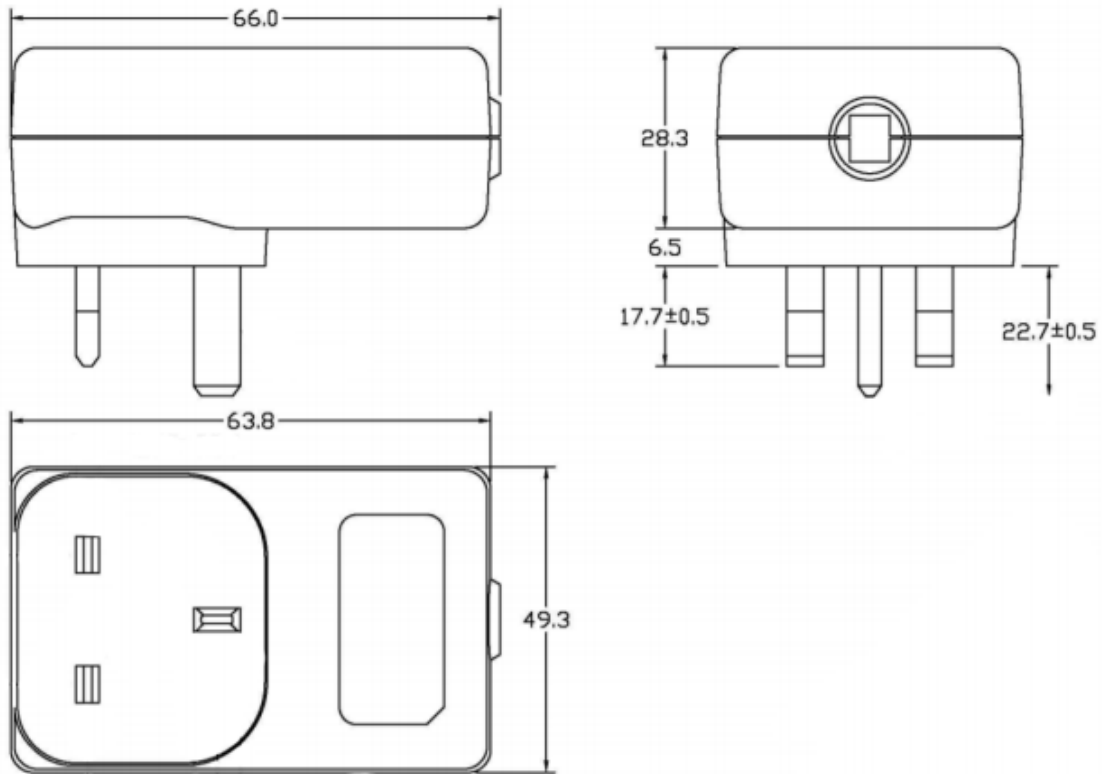
Approvals

Compliance/Certifications	UKCA/ CE/ RoHS & REACH
Safety Standard	EN 62368-1, IEC 62368-1 approved
EMC Emission	Compliance to EN 55032, EN 55035,

Similar Products

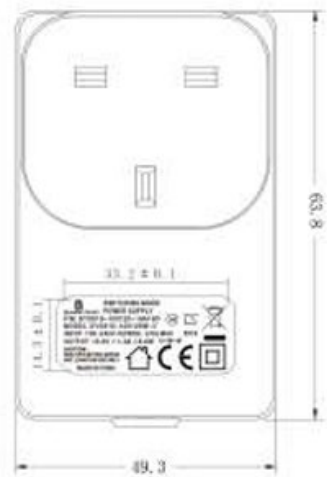
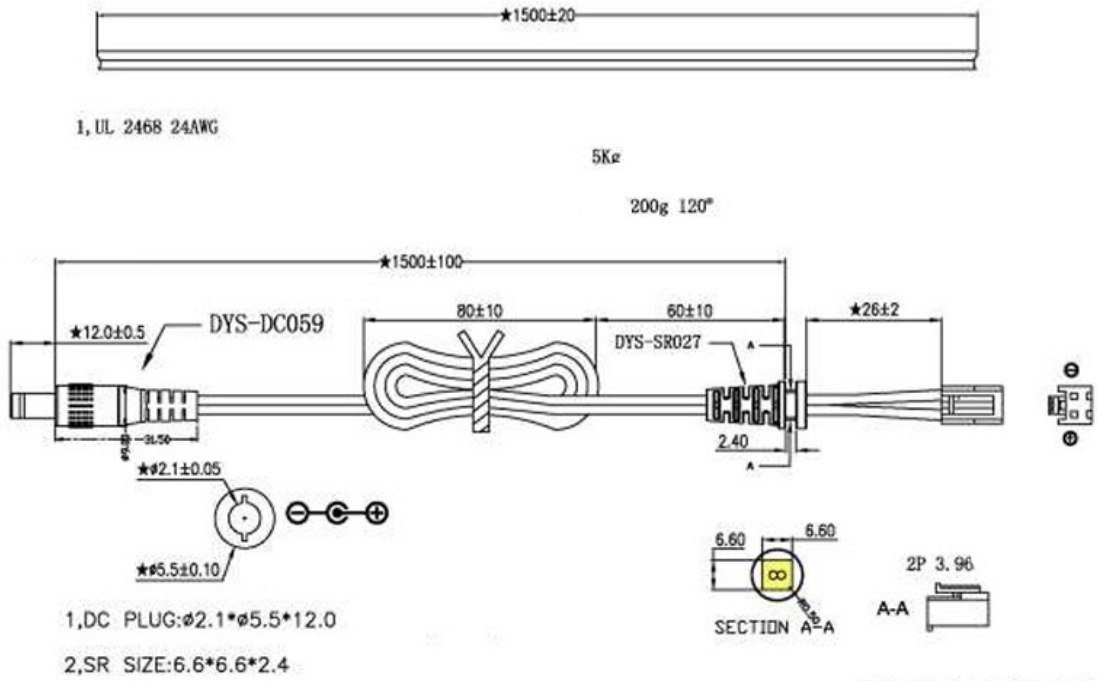
Stock No.	Brand	Product Name	Attribute 1	Attribute 2	Attribute 3
XXX-XXXX	RS PRO				
XXX-XXXX	RS PRO				

Product Images



Cables and lables

UK Power Adapter



SWITCHING MODE POWER SUPPLY
 RS stock No.: 175-0811
 P/N: DYS818-150120-19A19D
 MODEL: DYS818-150120W-3
 INPUT: 100-240V-50/60Hz 0.5A MAX 5219
 OUTPUT: 15.0V = 1.2A, 18.0W
 CAUTION: RISK OF ELECTRIC SHOCK DRY LOCATION USE ONLY
 MADE IN CHINA